

NOTES FOR TEMPORARY SERVICE FROM OVERHEAD

WE WILL DEAD-END OUR SERVICE DROP LOOP FOR A TEMPORARY ELECTRIC SERVICE ON A POLE THAT IS TO BE CONSTRUCTED BY THE CUSTOMER OR HIS DESIGNEE. THIS POLE WILL MEET THE REQUIREMENTS LISTED BELOW.

- 1) THE LOCATION OF THE TEMPORARY SERVICE POLE WILL BE SPECIFIED BY CROTON UTILITIES (GU) AND WILL NOT EXCEED 100 FEET FROM A UTILITY POLE TO YOUR TEMPORARY SERVICE POLE.
- 2) THE TIMBER TO BE USED WILL BE STRUCTURAL GRADE FIR OR PINE WITH A CROSS SECTION NOT LESS THAN 6 IN. X 6 IN.
- 3) THE LENGTH OF THE TEMPORARY SERVICE POLE WILL NOT BE LESS THAN 20 FT. ADDITIONAL LENGTH MAY BE REQUIRED TO MAINTAIN SERVICE DROP CLEARANCE OF 16 FT. OVER ANY PUBLIC ROADWAY OR PRIVATE DRIVE AND 12 FT. MINIMUM CLEARANCE OVER ALL OTHER AREAS.
- 4) THE TEMPORARY SERVICE POLE WILL BE SET TO A MINIMUM DEPTH OF 4 FT. IN FIRM GROUND.

5) THE TEMPORARY SERVICE POLE IS TO BE ADEQUATELY BRACED TO SUPPORT AT ITS TOP BOTH A MAN ON A LADDER AND A SERVICE DROP TENSION OF 600 POUNDS. A MINIMUM OF TWO, 2 IN. X 4 IN. BRACES AT 45-DEGREE ANGLES TO THE DROP LOOP ARE TO BE INSTALLED. BRACES ARE TO BE SPIKED FLAT AGAINST THE SIDE OF THE POLE AND TO BE 2" X 4" STAKES (3 FT MINIMUM LENGTH) LOCATED A MINIMUM 6 FT. FROM THE SERVICE POLE.

6) THERE SHALL BE NO CONSTRUCTION ACTIVITY NEAR THE TEMPORARY SERVICE POLE WHICH MAY UNDERMINE THE POLE STABILITY.

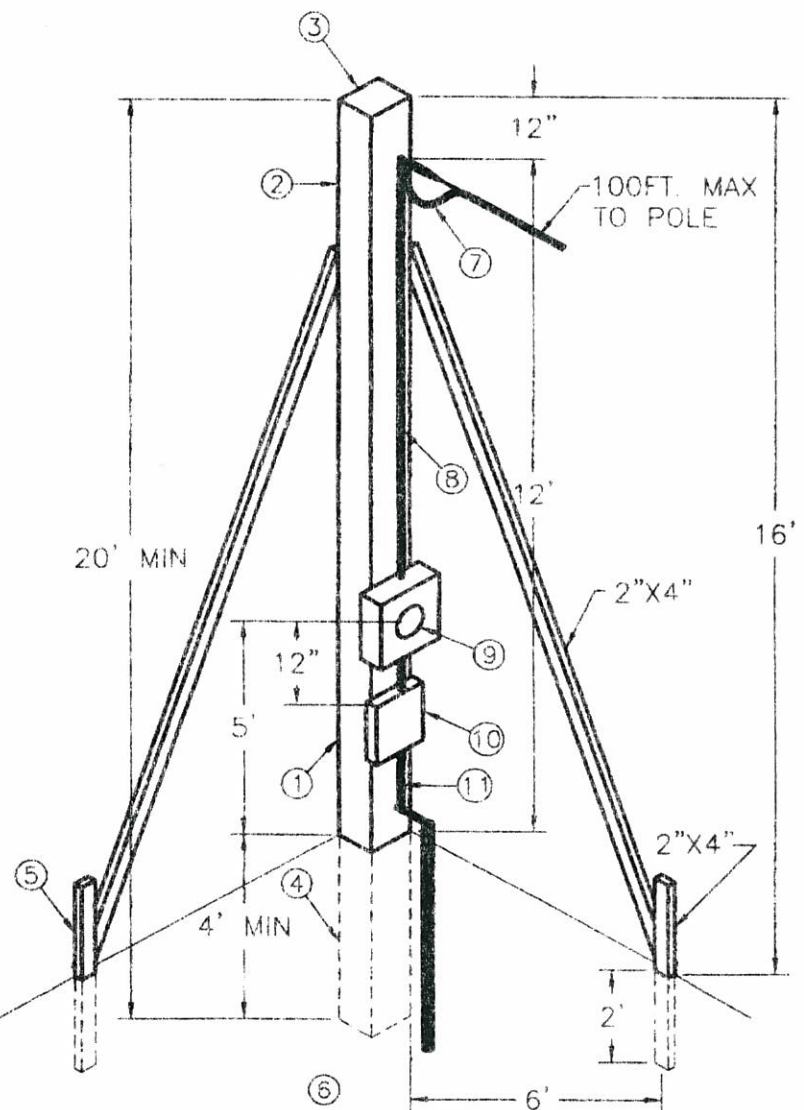
7) THE INSTALLATION SHALL MEET ALL CLEARANCE AND CONSTRUCTION REQUIREMENTS SET FORTH IN THE LATEST EDITION OF THE NATIONAL ELECTRICAL CODE, AND AS REQUIRED BY LOCAL AUTHORITY, AND GU

8) AT LEAST 24" OF SUFFICIENT CONDUCTOR SHALL BE AVAILABLE AT WEATHER HEAD.

9) AN APPROVED METER SOCKET IS TO BE INSTALLED APPROXIMATELY 5 FT. ABOVE GROUND ON THE SIDE NEAREST OUR POLE.

10) OUTDOOR TYPE SERVICE EQUIPMENT RATED IN ACCORDANCE WITH THE NEC IS TO BE INSTALLED ON LOAD SIDE OF METER SOCKET WITHIN 12" THERE OF. GROUND FAULT INTERRUPTER PROTECTION SHALL ALSO BE INSTALLED.

11) GROUND IN ACCORDANCE WITH NEC. THE GROUNDING CONDUCTOR ELECTRODE CONNECTION SHALL BE MADE AT AN ACCESSIBLE LOCATION IN THE SERVICE EQUIPMENT AND NOT THE METER SOCKET.



ALL STANDARDS/ELECTRIC STANDARDS NEW FORMAT/AL SERVICES/E 14.100.DWG. 3/7/2005 4:47:12 PM

03/07/05

TEMPORARY SERVICE POLE

CONSTRUCTION STANDARD

E 14.100